

# Colenta<sup>®</sup> DICOM Printer HighCap Xp

## Dry Laser Imager - High Efficiency - Mammo Applicability

### Processing Capacity

up to 80 films/hr, Size 35cmx43cm (14"x17") helps to reduce patient's waiting time, increasing efficiency of examination workflow.

### Printing Resolution - Pixel Size

up to 508dpi (50µm) - allows printout of Mammo Images

### Film Trays – Up to 5 Trays

2 universal film Trays enabling printing of two different sizes at the same time as standard and 3 universal film Trays are optional.

Colenta<sup>®</sup> DICOM Printer HighCap Xp to be used with Colenta<sup>®</sup> Dry Laser Films to obtain maximum quality print out of examination images.



### MEDIPHOT DL – Dry Laser Imaging Film:

Matching with Colenta HighCap Xp/XLp Printers, the low fog, consistently clear, the **Dry Laser Film DL** delivers high density images at neutral colour tone, comparable to those from conventional wet processing.

Film size	Quantity/Package
35cm x 43cm (14" x 17")	100 sheets + 1 protective sheet
26cm x 36cm (10" x 14")	150 sheets + 1 protective sheet
25cm x 30cm (10" x 12")	150 sheets + 1 protective sheet
20cm x 25cm (8" x 10")	150 sheets + 1 protective sheet

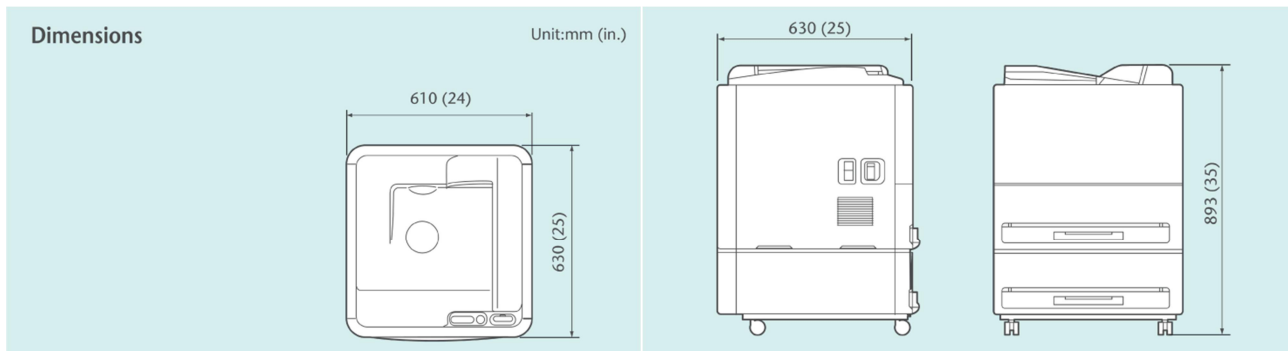
### MEDIPHOT DLM – Dry Laser Mammography Imaging Film:

Matching with Colenta HighCap Xp/XLp Printers, the low fog, consistently clear, the **Dry Laser Film DLM** delivers high density images (D-max of 4.0) at a blue film colour, and better sharpness compared to DL. The DLM also has adequate image quality for mammography.

Film size	Quantity/Package
26cm x 43cm (10" x 14")	150 sheets + 1 protective sheet
25cm x 30cm (10" x 12")	150 sheets + 1 protective sheet
20cm x 25cm (8" x 10")	150 sheets + 1 protective sheet

# Colenta HighCap Xp Specifications

<b>Recording method</b>	Laser exposure thermal development system
<b>Applicable film</b>	<b>MEDIPHOT DRY IMAGING FILM DL</b> (100/150 sheets/pack) 35cm x 43cm (14" x 17"), 26cm x 36cm (10" x 14"), 25cm x 30cm (10" x 12"), 20cm x 25cm (8" x 10") <b>MEDIPHOT DRY IMAGING FILM DLM for Mammography</b> (150 sheets/pack) 26cm x 36cm (10" x 14"), 25cm x 30cm (10" x 12"), 20cm x 25cm (8" x 10")
<b>Film loading</b>	Daylight film loading
<b>Film magazines</b>	Up to 5 trays (2 trays online + 3 trays offline)
<b>Processing Capacity</b>	approx. 80 sheets/hour 35cm x 43cm (14" x 17") approx. 100 sheets/hour 20cm x 25cm (8" x 10")
<b>Pixel size</b>	50 um (508 dpi) / 100 um (254 dpi)
<b>Recording gradation</b>	14 bits (16383)
<b>Image memory</b>	1GB
<b>Density Adjustment</b>	Automatic density correction
<b>Input channels</b>	DICOM network input x 1 channel only
<b>Dimensions (WxDxH)</b>	610mm x 630mm x 893mm (24" x 25" x 35")
<b>Weight</b>	104 kg (229.3 lbs.)
<b>Power Supply Conditions</b>	Single phase 50-60Hz, AC120-240V ±10%
<b>Operating Conditions</b>	Temperature: 15 to 30°C (59 to 91°F) Humidity: 15 to 70% rH, non-condensing



*Specifications are subject to change without notice. All brand names or trademarks are the property of their respective owners. In some countries, regulatory approval may be required to import medical devices.*

## **COLENTA** Labortechnik GmbH & Co. KG

Neunkirchner Str. 117

A-2700 Wiener Neustadt, Austria

Tel.: +43(0)2622-28311-0 Fax: +43(0)2622-28311-7

**E-Mail:** [office@colenta.at](mailto:office@colenta.at)