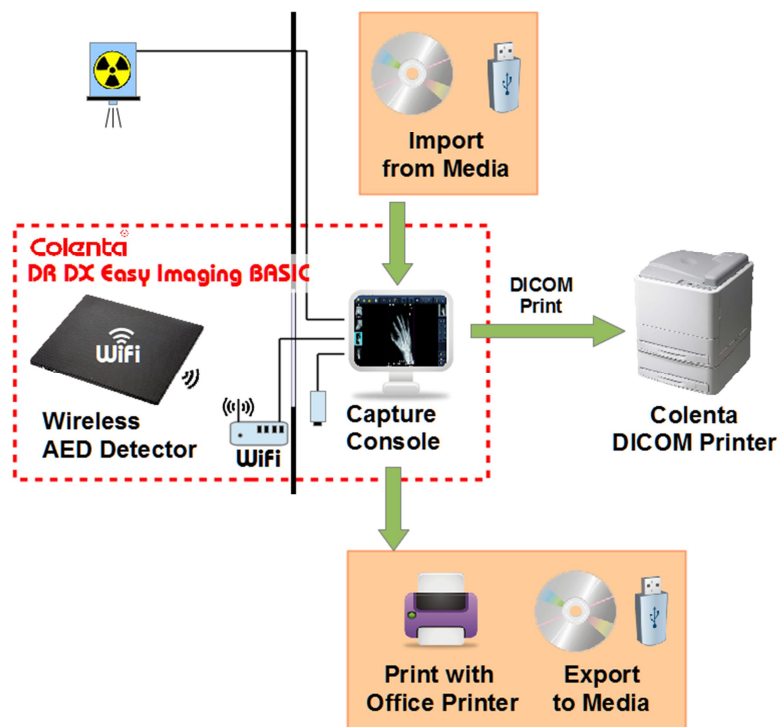


# Colenta® DX – EASY IMAGING

## DR Retrofit Kit Package – Configuration BASIC



### Description:

The **DR Retrofit Kit - Configuration BASIC** makes the use of CR Cassettes/Imaging Plates or the use of analogue x-ray films, the use of film cassettes and intensifying screens, the use of a darkroom, a processor and processing chemistry obsolete.

The digital information for the various images, necessary for an x-ray examination, is obtained by means of the **Colenta Wireless Flat Panel Detector**, which is replacing the CR Cassettes/Imaging Plates or the conventional method of using cassettes/films.

Several of the Colenta Wireless Flat Panel Detectors are with **AED (Automatic Exposure Detection)** – facility, does not need any interlink to the x-ray generator.

The digital information, produced by the DR Detector is transferred to the **Capture Console**, where by means of the **DX-Easy Imaging Acquisition Software** the x-ray image is obtained and can be evaluated on screen – within approximately 3 seconds after the x-ray exposure.

The **DX-Easy Imaging Processing Software** allows the radiologist to enhance and examine the image exactly as required to make a precise diagnosis. The image can be exported to different media or a patient CD made as required.

The BASIC Configuration excludes the possibility of archiving images or connecting additional Workstations.

Only the diagnosis related images are printed by means of the **COLENTA DICOM<sup>1)</sup> Printer** onto **Dry Imaging Film** for keeping in the patient file.

A **CD-writer** in the PC of the Capture Console allows images to be written and to create a **Patient-CD**, to be kept with the patient file.

1) DICOM ... **D**igital **I**maging and **C**ommunications in **M**edicine

# Colenta<sup>®</sup> DX – EASY IMAGING

## DR Retrofit Kit Package – Configuration BASIC

consists of:

### 1) Capture Console

#### **1a) 23" TFT Touchscreen Console Monitor \*)**

- 23" colour TFT Monitor
- 1280x1024 resolution

\*) When diagnosis to be done on Console Monitor, it is recommended to use a Diagnostic Monitor.

	21.3" TFT 2M colour	21.3" LED 2M monochrome	21.3" LED 3M monochrome	21.3" LED 5M monochrome
<b>Resolution</b>	1600 x 1200	1600 x 1200	2048 x 1536	2560 x 2048
<b>Response Time</b>	35ms	40ms	40ms	25ms
<b>Brightness (max)</b>	760 cd/m <sup>2</sup>	1200 cd/m <sup>2</sup>	1200 cd/m <sup>2</sup>	1200 cd/m <sup>2</sup>
<b>Contrast Ratio</b>	1200:1	1400:1	1400:1	1200:1
<b>View Angle</b>	176°	176°	176°	176°

*Complete List and Prices of Diagnostic Monitors on request*

#### **1b) Colenta DX Easy Imaging Capture Console:**

- Operating system Windows 8.1 64Bit
- Processor min. Intel Core i5
- 8 GB Memory
- HDD S-ATA 1 TB
- 2x GBit LAN controller
- Intel VGA graphic controller with 24 bit color depth  
Video Mode of graphic card supports OpenGL V1.1  
min. Screen resolution 1024x768 pixel
- CD/DVD-writer
- Keyboard and mouse
- Preinstalled and tested by Colenta



#### **1c) DX Easy Imaging Acquisition Software and DX Easy Imaging Processing Software**

- Module image diagnosis
- Module viewer standard
  - Zoom
  - Rotation and mirror (turn to the left, turn to the right, flip, mirror)
  - Window levelling (Gradation - brightness, contrast and gamma value)
  - Contrast inversion
  - Measurement (Angle, Distance, Outline)
  - Radiography Marker (Left / Right markers)
  - Add Text
- Module patient viewer, CD/DVD
- Image storage facility for approx. 1000 images, exceeding images are automatically erased

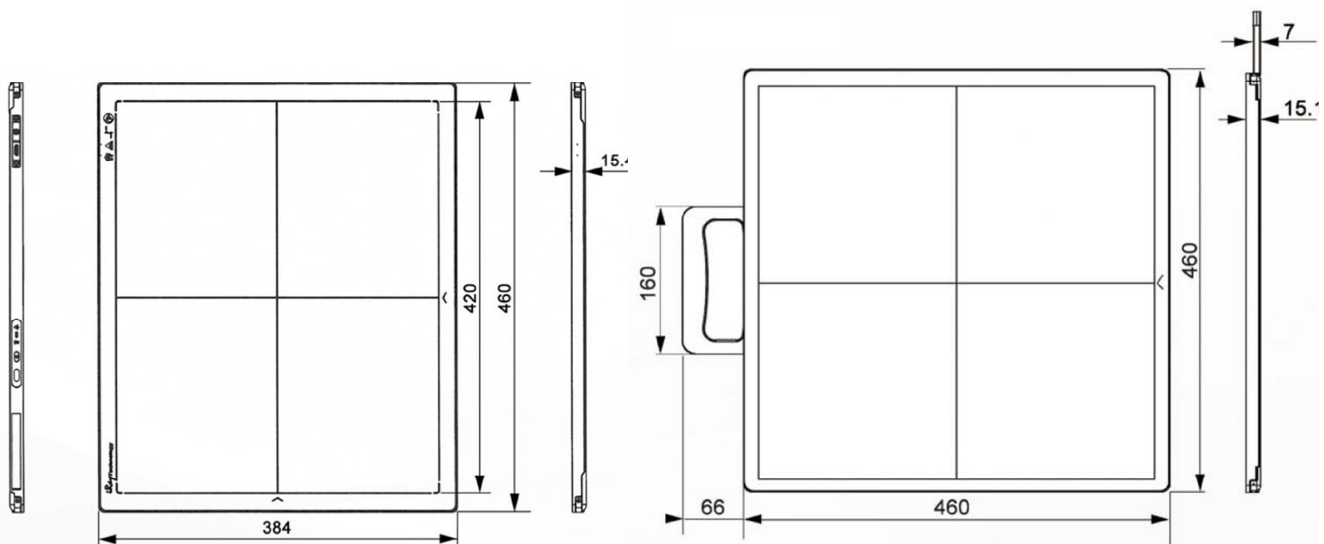
#### **1d) DX Easy Imaging DICOM print module (1 printer)**

**Note:** Several software modules are available for the Colenta Acquisition Software. Please refer to the price list.

## 2) DR Panels 14"x17" and 17"x17":

### Specifications

<b>Technology</b>	Flat Panel Detector, Amorphous Silicon
<b>Scintillator</b>	CsI (Directly Deposit)
<b>Active area</b>	14" x 17"(PE 1417), 17" x 17" (PE 1717)
<b>Resolution</b>	2.304 x 2.800 Pixel (PE 1417), 3.072 x 3.072 Pixel (PE 1717),
<b>Pixel pitch</b>	150 $\mu\text{m}$ x 150 $\mu\text{m}$ (PE 1417), 139 $\mu\text{m}$ x 139 $\mu\text{m}$ (PE 1717)
<b>Grayscale</b>	14 Bit (16.383)
<b>Image acquisition time</b>	$\leq$ 5s (PE 1417), $\leq$ 7s (PE 1717)
<b>Method of Exposure (trigger)</b>	DR Trigger / i-Sync 2(AED)
<b>Image transfer</b>	wired Ethernet / WIFI (wireless communication)
<b>Wireless Mode</b>	2.4G / 5G, with internal AP
<b>Internal Image Storage</b>	200 full size images
<b>Battery Operating Time</b>	> 4 hours (PE 1417), > 2 hours (PE 1717)
<b>Battery charging time empty to full</b>	approx. 2 hours
<b>Water Proof</b>	IPX1 (PE 1417), IPX0 (PE 1717)
<b>Drop Monitoring</b>	Realtime
<b>Limiting Resolution</b>	3.3 lp/mm (PE 1417), 3.4 lp/mm (PE 1717)
<b>Dimensions</b>	384mm (H) x 460mm (V) x 15.2 (D) mm (PE 1417) 460mm (H) x 460mm (V) x 15.2 (D) mm (PE 1717)
<b>Power Consumption</b>	13W
<b>Adapter</b>	AC input 110~240V, 50~60Hz
<b>Weight</b>	3.7 kg (8.16 lbs), PE 1417 – 4.7 kg (10.36 lbs), PE 1717
<b>Operating Environment</b>	+5 °C to +30 °C; 45 % to 85 % noncondensing humidity
<b>Storage and transport</b>	-10 °C to +40 °C; 45 % to 85 % noncondensing humidity
<b>Capture console, consisting of</b>	Capture Workstation with a Touch Screen Monitor, X-AQS DX Easy Imaging Software, Charging dock



Software controls detector, image acquisition and optimization, connects dose area product measurement device. Optional with fully integrated **DX Easy Imaging X-AQS PACS** solution.

## Colenta Dry Laser Imager - High Efficiency - Mammo Applicability



**HighCap Xp**



**HighCap XLp**

<b>Recording Method</b>	Laser exposure thermal development system	
<b>Applicable Film</b>	<p><b>MEDIPHOT DRY IMAGING FILM DL</b> (100/150 sheets/pack)                      35 x 43cm (14" x 17"), 26 x 36cm (10" x 14"),                      25 x 30cm (10" x 12"), 20 x 25cm (8" x 10")</p> <p><b>MEDIPHOT DRY IMAGING FILM DLM for Mammography</b> (150 sheets/pack)                      26 x 36cm (10" x 14"), 25 x 30cm (10" x 12"), 20 x 25cm (8" x 10")</p>	
<b>Film loading</b>	Daylight film loading	
<b>Film magazines</b>	2 trays online	3 trays online
<b>Processing Capacity</b>	approx. 80 sheets/hour at 35 x 43cm (14" x 17")  approx. 100 sheets/hour at 20 x 25cm (8" x 10")	approx. 110 sheets/hour at 35 x 43cm (14" x 17")  approx. 160 sheets/hour at 20 x 25cm (8" x 10")
<b>Pixel size</b>	50 um (508 dpi)	
<b>Recording gradation</b>	14 bits (16383)	
<b>Image Memory</b>	1 GB	
<b>Density adjustment</b>	Automatic density correction	
<b>Input channels</b>	DICOM network input x 1 channel only	
<b>Power Supply Conditions</b>	Single phase 50-60Hz AC120-240V±10%	
<b>Environmental Conditions</b>	Temperature: 15-30°C Humidity: 15-70%RH (No dew condensation)	
<b>Weight</b>	104 kg (229.3 lbs.)	160 kg (353 lbs.)
<b>Dimensions (WxDxH)</b>	610 x 630 x 893 mm (24" x 25" x 35")	600 x 585 x 1090 mm (24" x 23" x 43") – w/o sorter 600 x 585 x 1390 mm (24" x 23" x 55") - with sorter
<b>OPTIONS</b>	Optional Tray Floor Fix Kit	4-bin sorter

### **MEDIPHOT DL – Dry Laser Imaging Film:**

Matching with Colenta HighCap Xp/XLp Printers, the low fog, consistently clear, the **Dry Laser Film DL** delivers high density images at neutral colour tone, comparable to those from conventional wet processing.

<b>Film size</b>	<b>Quantity/Package</b>
35 x 43cm (14" x 17")	100 sheets + 1 protective sheet
26 x 36cm (10" x 14")	150 sheets + 1 protective sheet
25 x 30cm (10" x 12")	150 sheets + 1 protective sheet
20 x 25cm (8" x 10")	150 sheets + 1 protective sheet

### **MEDIPHOT DLM – Dry Laser Mammography Imaging Film:**

Matching with Colenta HighCap Xp/XLp Printers, the low fog, consistently clear, the **Dry Laser Film DLM** delivers high density images (D-max of 4.0) at a blue film colour, and better sharpness compared to DL. The DLM also has adequate image quality for mammography.

<b>Film size</b>	<b>Quantity/Package</b>
26 x 36cm (10" x 14")	150 sheets + 1 protective sheet
25 x 30cm (10" x 12")	150 sheets + 1 protective sheet
20 x 25cm (8" x 10")	150 sheets + 1 protective sheet